



Neutralization Transfer Cart Operator's Manual



Custom Ultrasonics, Inc.

144 Railroad Drive
Ivyland, PA 18974
(215) 364-1477
customultrasonics.com



Table of Contents

Abbreviations 3

Warning / Caution Statements 3

Description 4

Specifications of Adapters, Connectors and Connecting Points..... 5

Pre-Installation Site Requirements 6

Operation 7

How to Empty System 83 Plus™ Washer/Disinfector disinfectant Reservoir..... 7

 Supplementary Mixing of the Liquid Neutralizer and Disinfectant 7

 Flush and Rinse of Neutralization Cart 10

Maintenance 11

 Use of Catch Basin Window 11

 Charcoal Filter Change 11

 General Housekeeping 11

Abbreviations

- HLD = High Level Disinfectant
- MSDS = Material Safety Data Sheets
- PPE = Personal Protective Equipment
- LED = Light Emitting Diode
- P/N = Part Number

Warning / Caution Statements

A **warning** is a statement that alerts the user to the possibility of injury, death or other serious adverse reactions associated with the use or misuse of the Neutralization Transfer Cart.

A **caution** is a statement that alerts the user to the possibility of a problem with the Neutralization Transfer Cart associated with its use or misuse. Such problems include malfunction, failure and damage to Neutralization Transfer Cart or damage to other property. The caution statement includes the precautions that should be taken to avoid the hazard.

- Read this manual thoroughly to become familiar with the operation of the Neutralization Transfer Cart.
- Use Liquid Neutralizer Only (No Powder Neutralizer).
- Rinse Neutralization Transfer Cart internal drum with water after each use.
- Proper training is required prior to operating the Neutralization Cart. Do not operate the Neutralization Transfer Cart unless properly trained.
- A germicide (HLD) of choice will be used. It is imperative that the safety precautions necessary to handle that particular disinfectant is understood. Contact the germicide (HLD) manufacturer for Material Safety Data Sheets (MSDS) and other appropriate information and your facility's infection control procedures for handling disinfectants.
- When references are made to neutralization or using a liquid neutralizer, refer to the neutralizer and/or disinfectant manufacturer's label claim or instructions.
- Appropriate, personal protective equipment (PPE), such as, but not limited to, eye shields, rubber gloves and protective gown should be used based on the particular substance with which you are working.
- The Neutralization Transfer Cart can be used with any Washer/Disinfector. When operating the Neutralization Transfer Cart for the first time, contact Custom Ultrasonics for first time setup and use.
- The Neutralization Transfer Cart and the Washer/Disinfector utilize bulkhead connectors. This Neutralization Transfer Cart is shipped with bulkhead plugs that are to be inserted at the various connection points when the Neutralization Transfer Cart and Washer/Disinfector are not in use.
- Only OEM (Original Equipment Manufacturer) parts provided by Custom Ultrasonics must be used in the Neutralization Transfer Cart.



Description

The patented, #7467890 Neutralization Transfer Cart is fabricated of stainless steel and contains: two (2) demand/delivery pumps, disinfectant handling drum, timer, two (2) sight glasses, light, two (2) toggle switches with indicator LED's and an electrical power cord. To prevent against overfilling of the drum a sensor is placed in series with the input pump. The Neutralization Transfer Cart is on casters for easy mobility. Displaced air is forced through a charcoal filter to ensure that minimal disinfectant fumes escape during filling. To prevent fluid from entering the filtration system a catch basin is installed at the exhaust port of the internal drum.

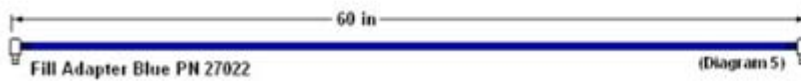
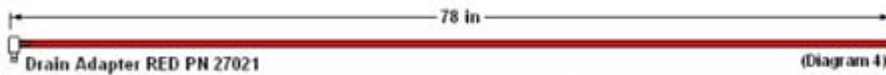
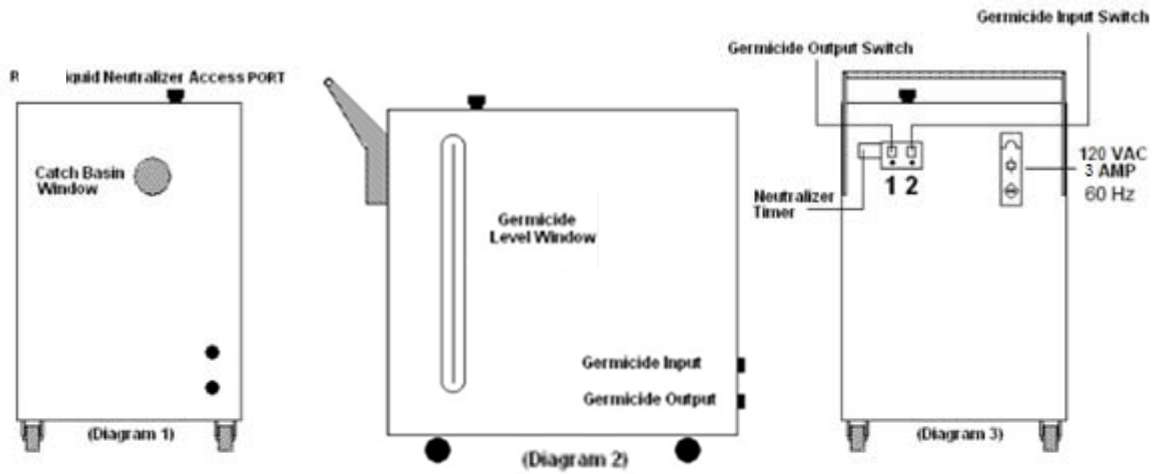
When the germicide (HLD) has dropped below the minimum effective concentration or as needed; the Neutralization Transfer Cart allows for the transportation and neutralization of glutaraldehyde or ortho-Phthalaldehyde where it is required before disposal. An appropriate liquid neutralizer is added to the Neutralization Transfer Cart via a small convenient port on the top of the unit and the supplied funnel. The self-closing adapter supplied with the Neutralization Transfer Cart can be temporarily connected to the System 83 Plus™ Washer/Disinfector or Washer/Disinfector of choice and the germicide (HLD) input pump drains the disinfectant from the System 83 Plus™ Washer/Disinfector or Washer/Disinfector of choice into the Neutralization Transfer Cart's internal drum. The filling process creates a swirling motion in the drum to mix the disinfectant and liquid neutralizer. After filling the drum a timer is provided to assure the appropriate liquid neutralization time is achieved according to the liquid neutralizer's labeling.

Supplementary mixing of the neutralization of the liquid neutralizer and disinfectant is an optional step. This process is outlined in the *Supplementary Mixing* section of this manual.

After the germicide (HLD) has been neutralized a drain line will be connected to the germicide (HLD) output. This drain line will be placed into a suitable drainage and the onboard germicide (HLD) output pump will be actived to discharge the neutralized germicide (HLD) from the tank in the Neutralization Transfer Cart. The Neutralization Transfer Cart can then be stored in a convenient location when not in use.

The Neutralization Transfer Cart can be used with any Washer/Disinfector, contact Custom Ultrasonics service department for detailed instructions.

Specifications of Adapters, Connectors and Connecting Points



(Drawing Not To Scale)

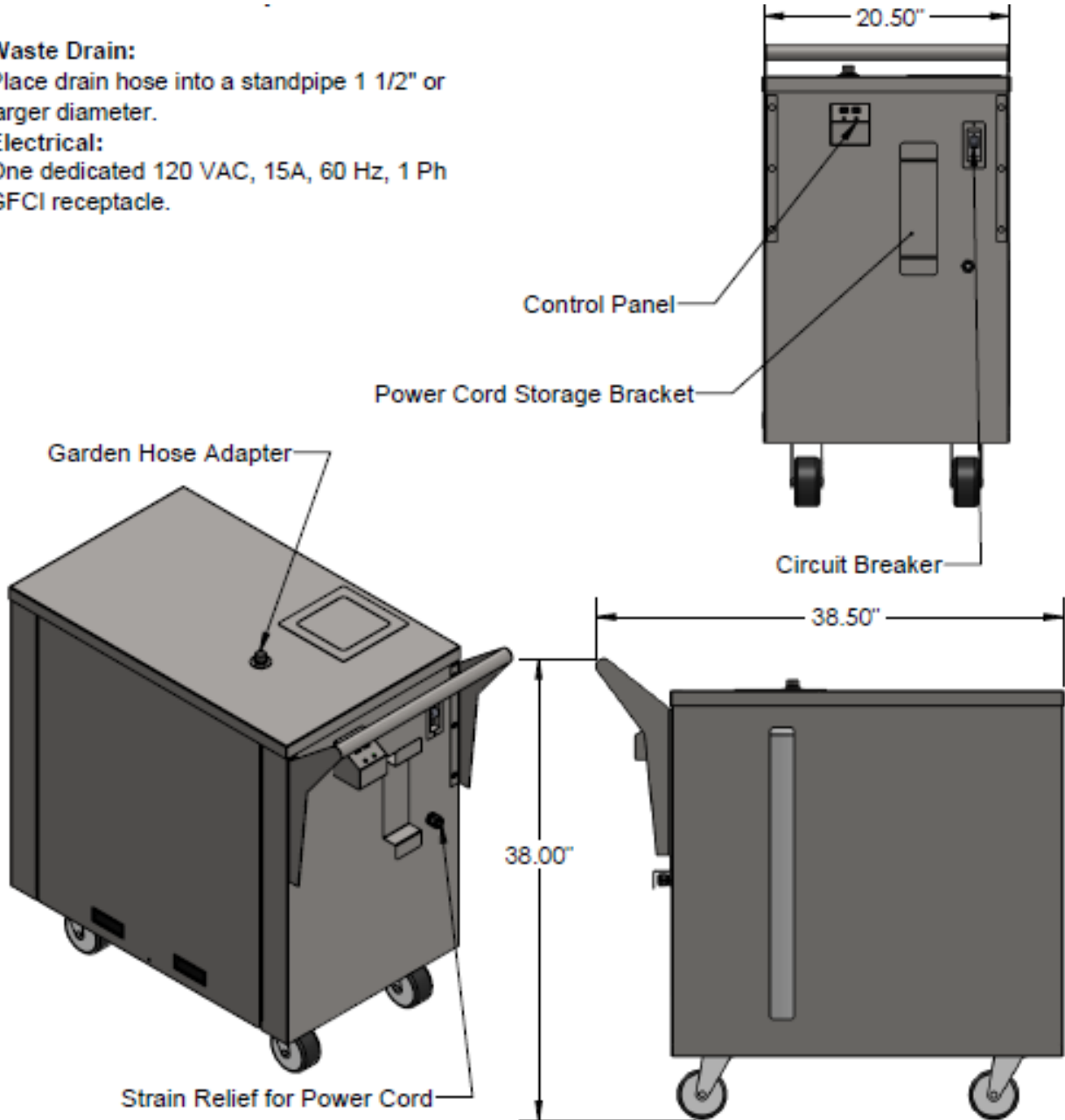
Pre-Installation Site Requirements

Waste Drain:

Place drain hose into a standpipe 1 1/2" or larger diameter.

Electrical:

One dedicated 120 VAC, 15A, 60 Hz, 1 Ph GFCI receptacle.



Operation

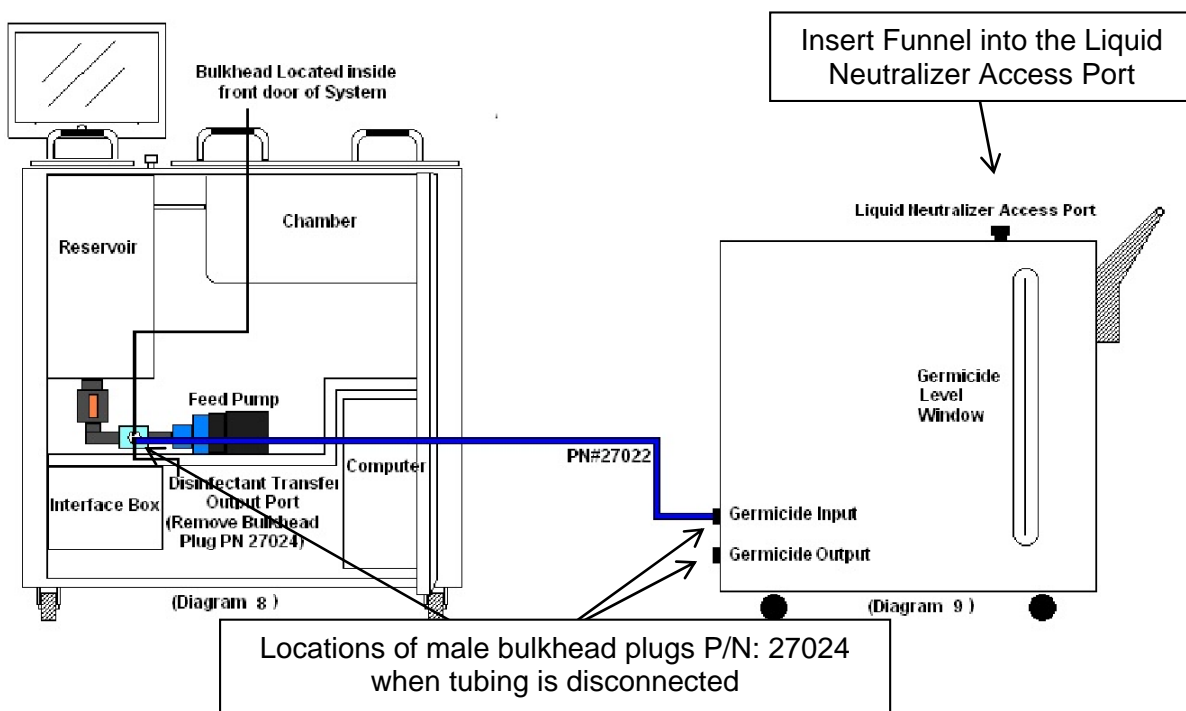
How to Empty System 83 Plus™ Washer/Disinfectant Reservoir.

1. Add the appropriate amount of liquid neutralizer per label instructions via the liquid neutralizer access port located on top of the Neutralization Transfer Cart using a funnel (P/N 27058).
2. Remove two (bulkhead) plugs (P/N 27024); one from the System 83 Plus™ Washer/Disinfectant germicide (HLD) transfer output Port and one from the germicide (HLD) input on the Neutralization Transfer Cart.

Note: If the Neutralization Transfer Cart is being used for the first time, the threaded plug on the System 83 Plus™ Washer/Disinfectant germicide (HLD) Transfer output, may need to be replaced with a female bulkhead adapter ($\frac{3}{8}$ " NPT (M) P/N 20009). Contact Custom Ultrasonics Service Department for guidance on this process.

Note: If connecting to anything other than a System 83 Plus™ Washer/Disinfectant Contact the Custom Ultrasonics Service Department for detailed instructions.

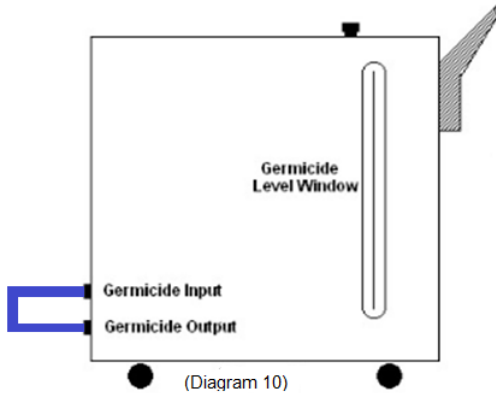
3. Connect transfer adapter (P/N: 27022) (Diagram 8 and 9) from the germicide (HLD) transfer output port on the System 83 Plus™ Washer/Disinfectant to the germicide (HLD) input bulkhead, located on the Neutralization Transfer Cart. Engage the germicide (HLD) input switch until System 83 Plus™ Washer/Disinfectant is completely emptied. Disengage the germicide (HLD) input switch and disconnect adapter (P/N: 27022) from the System 83 Plus™ Washer/Disinfectant and cart.
4. Replace the bulkhead plugs on the Neutralization Transfer Cart and the System 83 Plus™ Washer/Disinfectant.
5. Set timer (to the minimum required time, as per labeling claim of the neutralizer) for the prescribed duration in order to neutralize the germicide (HLD).



Supplementary Mixing of the Liquid Neutralizer and Disinfectant



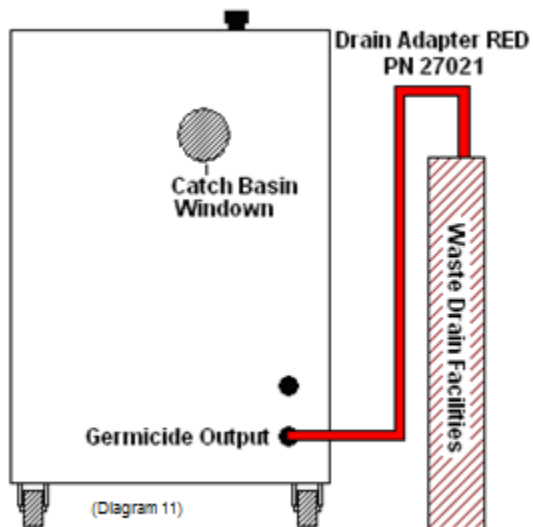
1. Remove both bulkhead plugs (P/N 27024) from the Neutralization Transfer Cart.
2. Connect the fill adapter (P/N 27022) to the germicide (HLD) input and the germicide (HLD) output of the Neutralization Transfer Cart via the bulkhead. See diagram 10 for representation.



3. Activate both pumps by toggling the germicide (HLD) input switch and the germicide (HLD) output switch to the **ON** position. Allow the pumps to circulate for approximately 30 seconds or longer.
4. Deactivate the pumps by toggling the germicide (HLD) input switch and the germicide (HLD) output switch to the **OFF** position.
5. Remove the fill adapter (P/N 27022) from the germicide (HLD) input and the germicide (HLD) output of the transfer cart via the bulkhead.
6. Place the bulkhead plugs (P/N 27024) back on the germicide (HLD) input and germicide (HLD) output.

Drainage of Neutralized Disinfectant

1. Remove the bulkhead plug (P/N 27024) from the germicide (HLD) output.
2. Connect red adapter (P/N 27021) to bulkhead. See Diagram 11 below.

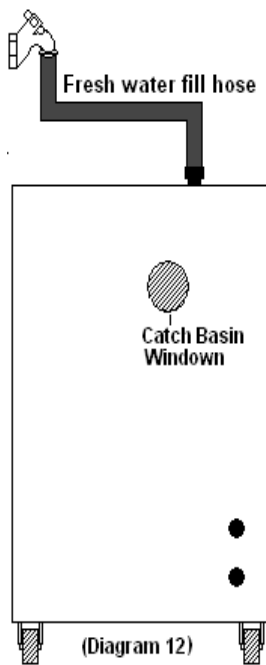


3. Place the end of the red adapter (P/N 27021) into the standpipe or other drainage provided. Ensure the open end does not dislodge from standpipe or drainage.
4. Activate germicide (HLD) output switch until the internal drum is empty; while the pump is activated observe the side glass panel for liquid level in the internal drum. On completion, turn **OFF** germicide (HLD) output switch and disconnect the red adapter (P/N 27021).
5. Place the bulkhead plug back on the germicide (HLD) output.

Flush and Rinse of Neutralization Cart

Flushing and rinsing of the internal drum is done to clean any buildup of germicide (HLD) and neutralizer agent within the internal drum. This procedure should be completed after each use.

1. Place open end of the red adapter (P/N 27021) to the germicide (HLD) output adapter and into the stand pipe. Feed down into the standpipe, ensuring the adapter is secure before continuing.(Diagram 11)
2. Attach fresh water fill hose from water source to the liquid neutralizer port (Diagram 12) on top of the Neutralization Transfer Cart and fill with water to the 15 gallon mark below.



3. Connect red adapter (P/N 27021) to bulkhead. See Diagram 11.
4. Activate germicide (HLD) output switch until internal drum is empty (see side glass panel for measurement).
5. Remove red adapter from germicide output after drainage.
6. Place the bulkhead plug back on the germicide (HLD) output.

Maintenance

Use of Catch Basin Window

1. The catch basin is used to prevent an overflow of liquid from the holding drum to the fume filter.
2. Periodically view the window to determine if there has been an overflow.
3. If there is liquid in the catch basin, remove the front panel of the Neutralization Transfer Cart, hold a suitable container under the petcock and drain the catch basin.

Charcoal Filter Change

1. The charcoal filter is used to minimize fumes from escaping into the room from the germicide (HLD), created by the pressure of filling the holding tank.
2. Change the Chemical Fume Filter (P/N 21017) semi-annually (every 6 months).
3. The metal hold down bracket is a filter wrench to help loosen the filter housing.
4. Unscrew the thumb screw holding the wrench to the wall of the unit.
5. Using the filter wrench remove the blue filter canister, remove and dispose of the old filter.
6. Replace the filter and hand tighten the canister only.

General Housekeeping

1. Keep the Neutralization Transfer Cart and internal drum clean (see previous page for instructions).
2. Wipe up any spills with a soft clean cloth.
3. Clean external surfaces with a soft clean cloth and non-abrasive disinfectant cleaner to maintain finish.
4. Stainless steel cleaner/polish can be used if it is acceptable with your Intensive Care Department.
5. Lubricate the male bulkheads fittings with silicone oil when rinsing out the cart.

