

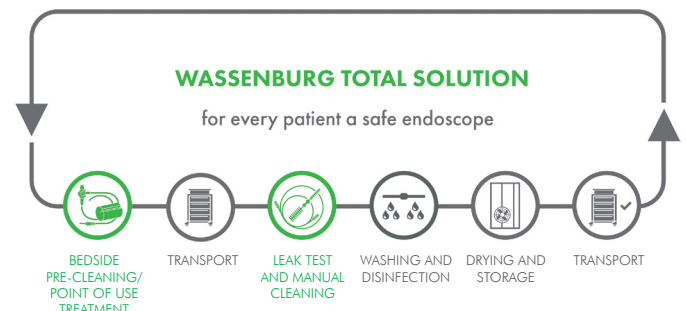
Scope-Assist Flushing Sink Model S8

Drops into existing cabinet



- ▶ **Designed to be installed into a fixed base cabinet with countertop or casework provided by the end user facility**
- ▶ **Stainless steel sink basin**
- ▶ **Liquid detergent injection system**
- ▶ **Manifold with quick disconnect endoscope channel flushing ports**
- ▶ **Provides a means of flushing flexible endoscope channels with a detergent solution or with water**
- ▶ **Provides an environment for soaking and manual wiping/brushing of a flexible endoscope**
- ▶ **Provides an environment for wet leak testing of endoscope**

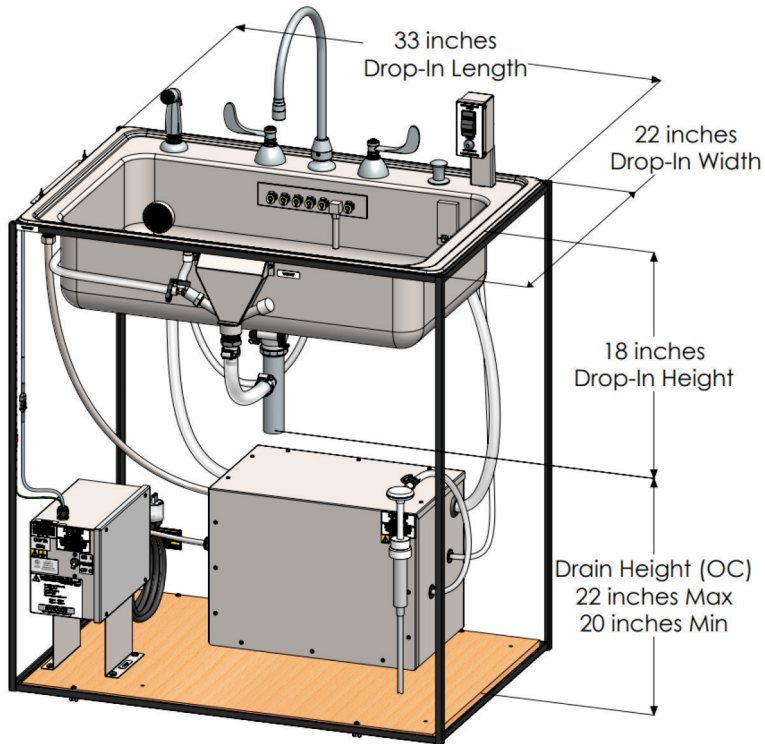
The cleaning and disinfection of endoscopes after every procedure is required to prevent cross-contamination. The Scope-Assist Flushing Sink is designed to mechanically assist the channel flushing portion of the endoscope's manual cleaning process. The Flushing Sink's large basin is designed to accommodate the bending radius of most flexible endoscopes, and individual channel adaptation allows for the continuous flushing of all endoscopes.



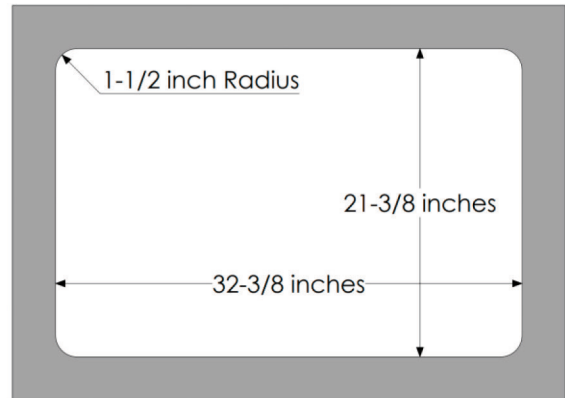
Scope-Assist Flushing Sink

Model S8

Dimensions



SAFS Model S8 (Drop-In) Dimensions



SAFS Model S8 (Drop-In) Cut-Out Template

Benefits of Endoscope Reprocessing Equipment

If you're typically using endoscopes, AERs (Automated Endoscope Reprocessors) are important tools for operation. This risk is especially heightened due to the increased demand for surgical procedures that require the use of endoscopes. There is an increasing focus in the healthcare community on preventing infections and bacterial spread, and cleaning flexible endoscopes and other materials that enter the body.

